



# INSTRUCTION BULLETIN

No. 9014339  
Machine: T17  
Published: 10-2013  
Rev. 10-2018

**NOTE: DO NOT DISCARD the Parts List from the Instruction Bulletin. Place the Parts List in the appropriate place in the machine manual for future reference. Retaining the Parts List will make it easier to reorder individual parts and will save the cost of ordering an entire kit.**

*NOTE: Numbers in parenthesis ( ) are reference numbers for parts listed in Bill of Materials.*

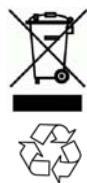
Installation instructions for **kit number 9014338**

## SYNOPSIS:

This kit contains the parts needed to replace the ES check valve on T17 scrubbers.

## SPECIAL TOOLS / CONSIDERATIONS: NONE

(Estimated time to complete: 15 minutes)



### PROTECT THE ENVIRONMENT

Please dispose of packaging materials, used machine components such as batteries and fluids in an environmentally safe way according to local waste disposal regulations.

Always remember to recycle.

## PREPARATION:

**FOR SAFETY: Before leaving or servicing machine, stop on level surface, turn off machine, set parking brake, and remove key.**

1. Lift and lock the battery compartment cover open.

## INSTALLATION:

1. Disconnect the hose to the solution pump from the ES check valve assembly. Set the hose clamp aside. (Fig. 3)
2. Remove the ES check valve assembly from the solution tank. Discard the ES check valve assembly. (Fig. 3)

3. Remove the two Phillips screws securing the flap to the ES check valve body. (Fig. 1)

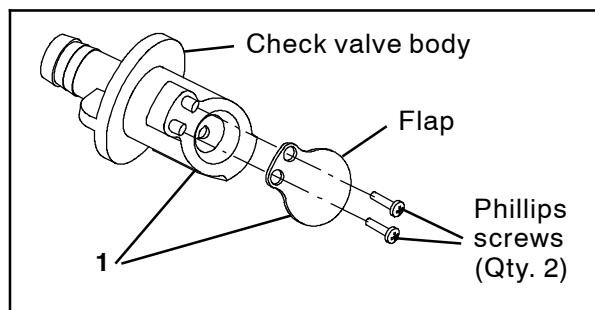


FIG. 1

- Use the previously removed Phillips screws to install the check valve flap resistor (2) onto the flap and the ES check valve body (1). (Fig. 2)

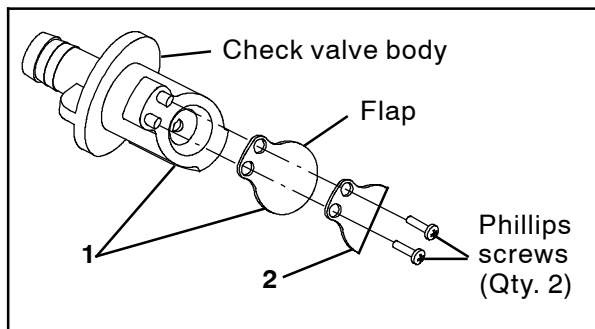


FIG. 2

- Slide the gasket included with the check valve assembly onto the ES check valve assembly. (Fig. 3)
- Install the previously assembled ES check valve assembly into the solution tank. (Fig. 3).
- Connect the hose routed to the solution pump to the ES check valve assembly. (Fig. 3)
- Start and test the machine. Observe the newly installed ES check valve assembly and hose connected to the ES check valve assembly for leaks.

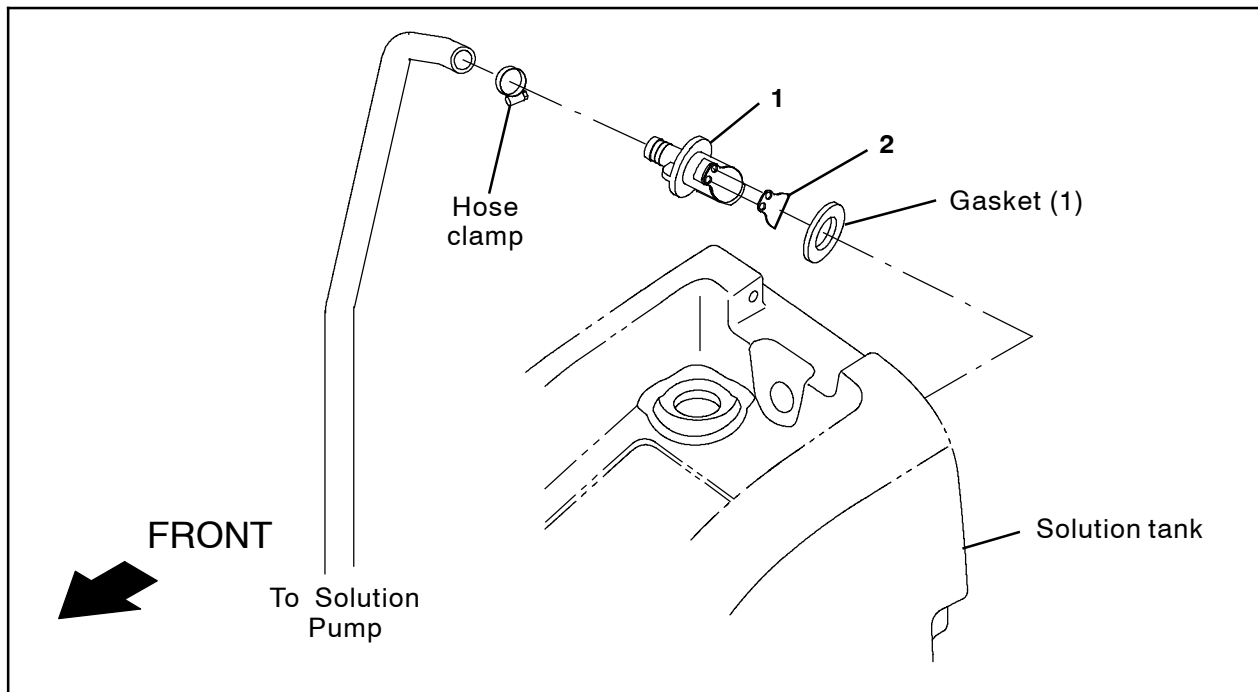


FIG. 3

**Bill Of Materials For Valve Kit, Check, ES [T17] - 9014338**

Ref.	Tennant Part No.	Description	Qty.
1	78842	VR, Valve Kit, Check, Pump, Water	1
2	1217187	Flap, Resistor, Check Valve	1

TENNANT COMPANY  
P. O. Box 1452  
Minneapolis, MN 55440-1452